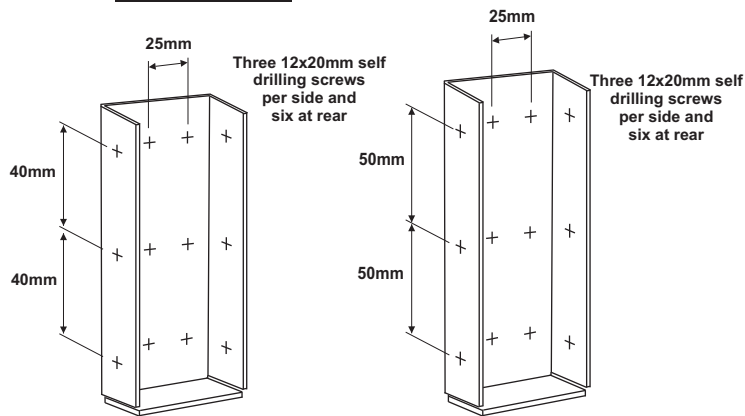


DET-1

FASTENER FIXING LOCATIONS

SCREW FIXING

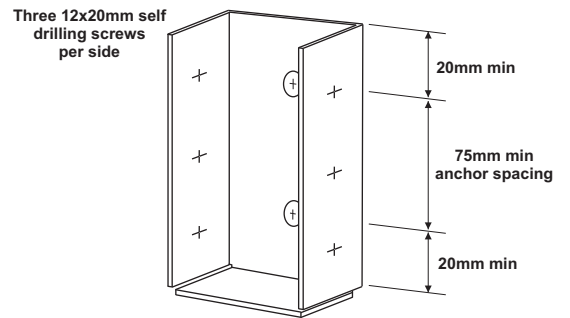


140mm PRO-BEAM®

170mm PRO-BEAM®

Note: Minimum 20mm distance to the bracket edge for all screws

FIXING DIRECTLY TO MASONRY

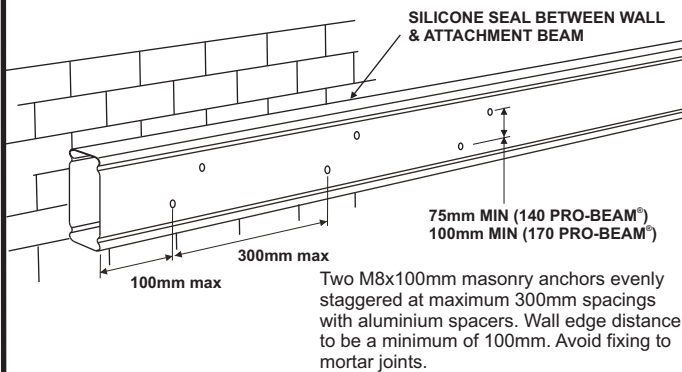


Pro-Beam® 140 & 170 - two M10x100mm masonry anchors. Wall edge distance to be a minimum of 100mm. Avoid fixing to mortar joints.

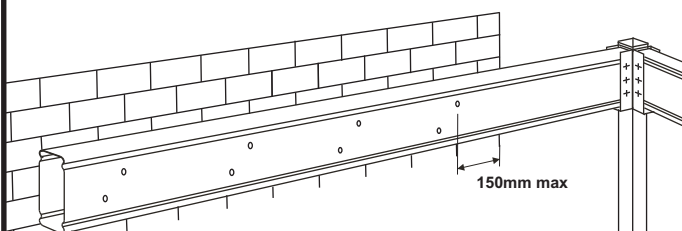
Note: for bolted connections, bolts shall be spaced as for masonry anchors.

DET-2

FIXING TO MASONRY THROUGH AN ATTACHMENT BEAM.



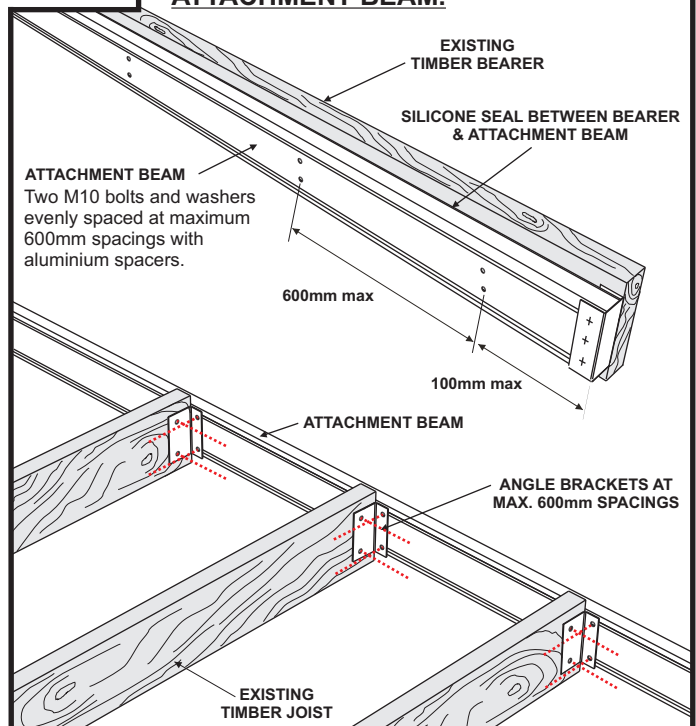
Note: if an attachment beam is used to extend the floor beyond the structure to which it is attached, the beam must be continuous through at least four fixing points beyond the corner of the structure.



Note: it is the builders responsibility to ensure existing masonry is capable of withstanding the additional loads imposed by the Probeam® Floor.

DET-3

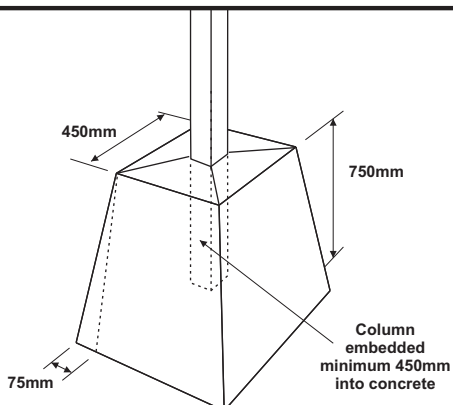
FIXING TO TIMBER THROUGH AN ATTACHMENT BEAM.



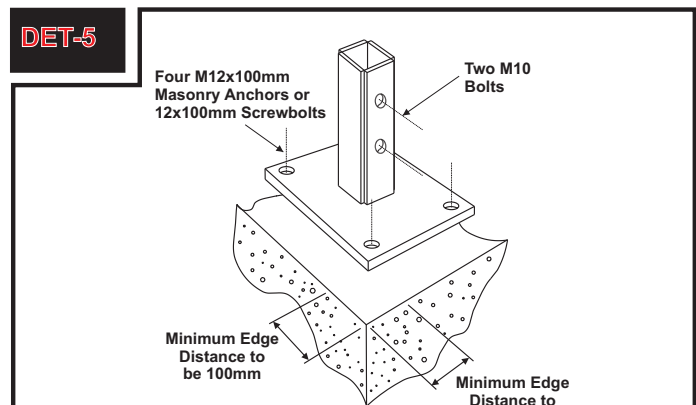
Two M10 Bolts and spacers to fix attachment beam to angle bracket. Two M10 Bolts and washers to fix Angle Bracket to existing joist.

Note: it is the builders responsibility to ensure existing timber is capable of withstanding the additional loads imposed by the Probeam® Floor.

DET-4



DET-5



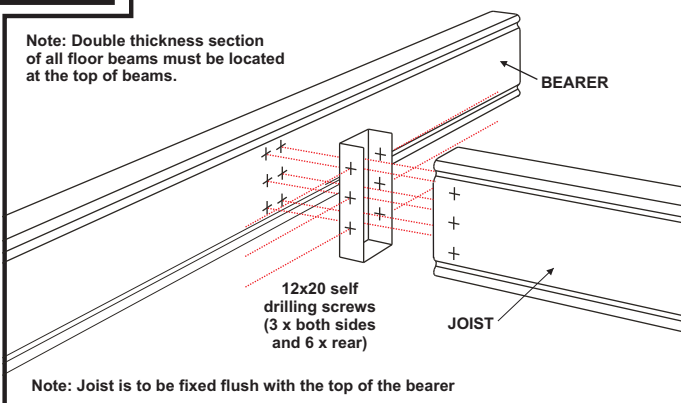
Note: Only floors not supporting a verandah which are in non-cyclonic conditions may be fixed to a concrete slab.

DET-6

JOIST TO BEARER

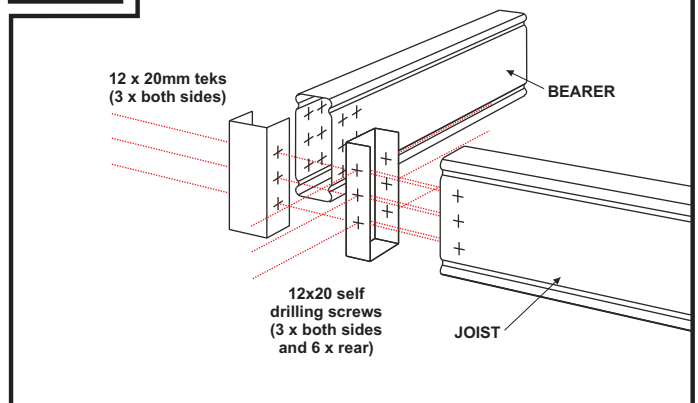
(Refer to DET-1 for fastener location details)

Note: Double thickness section of all floor beams must be located at the top of beams.



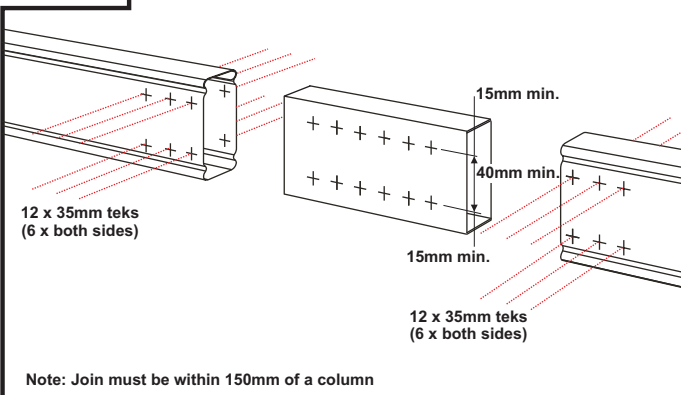
DET-7

(Refer to DET-1 for fastener location details)



DET-8

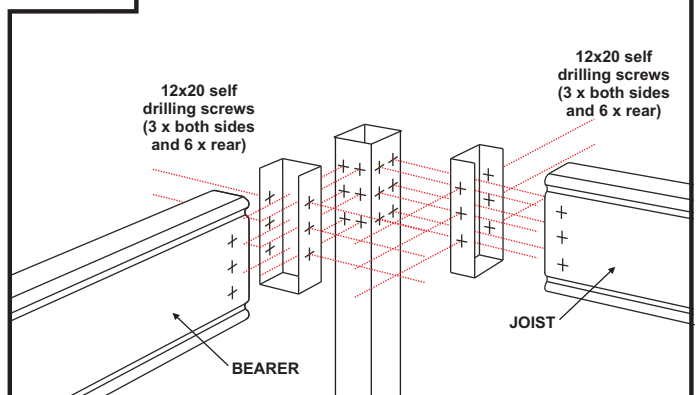
INLINE BEAM CONNECTION



Note: Join must be within 150mm of a column

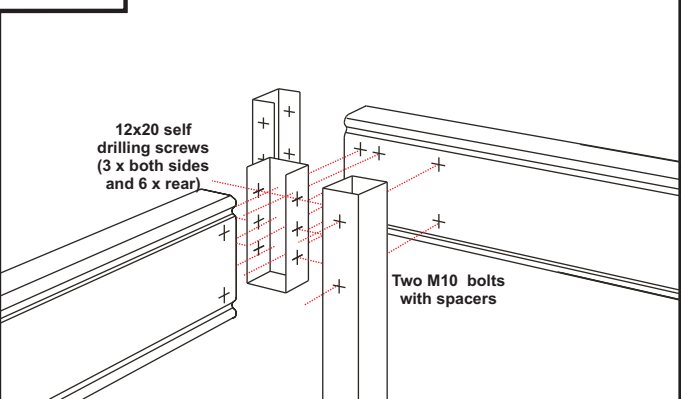
DET-9

(Refer to DET-1 for fastener location details)



DET-10

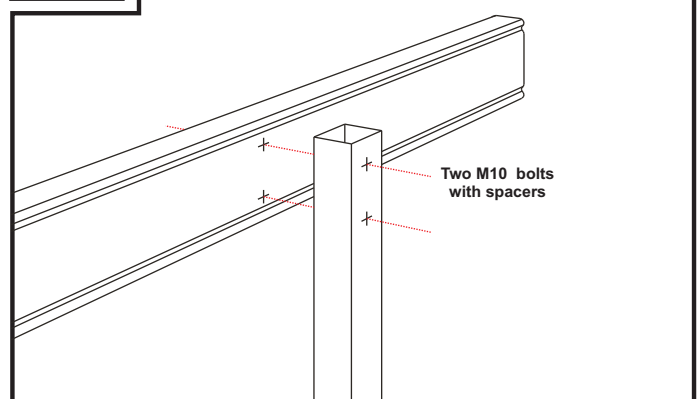
(Refer to DET-1 for fastener location details)



DET-11

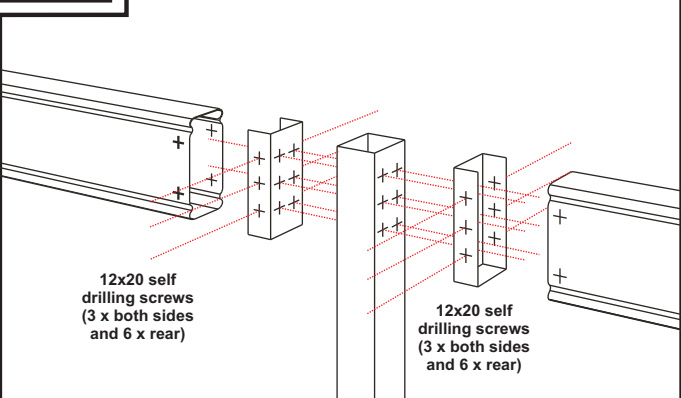
BOLTED BEARER TO COLUMN

(Refer to DET-1 for fastener location details)



DET-12

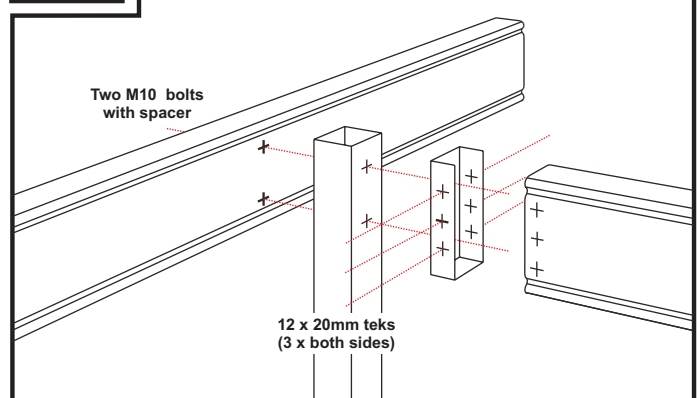
(Refer to DET-1 for fastener location details)



DET-13

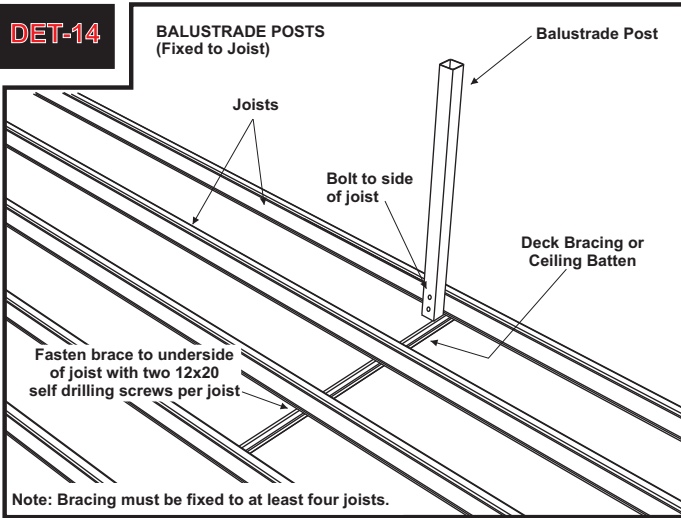
BOLTED JOIST TO COLUMN

(Refer to DET-1 for fastener location details)



CONNECTION DETAILS

DET-14

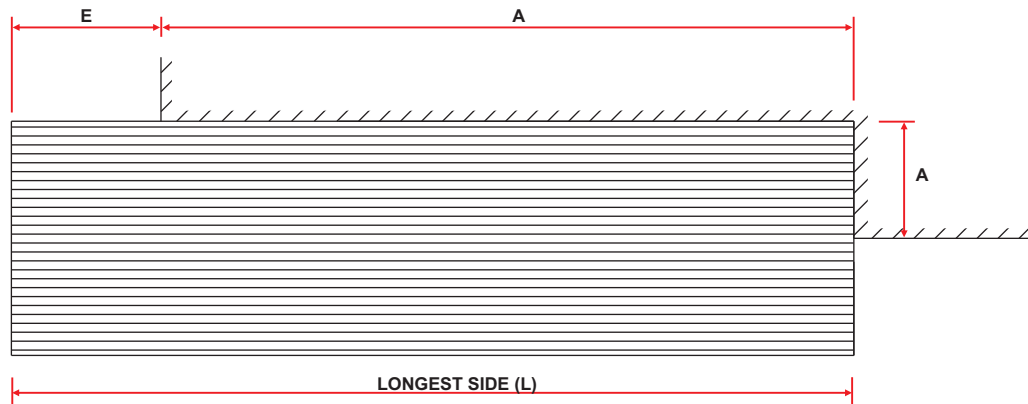


NOTE: If balustrade posts are fixed to the side of a joist and do not continue to ground level, it is recommended 1.2mm deck bracing or ceiling batten be fastened to the underside of joists adjacent the posts to prevent the joists from 'rolling'.

The bracing runs perpendicular to joists and must be screwed to at least four joists, refer detail 14.

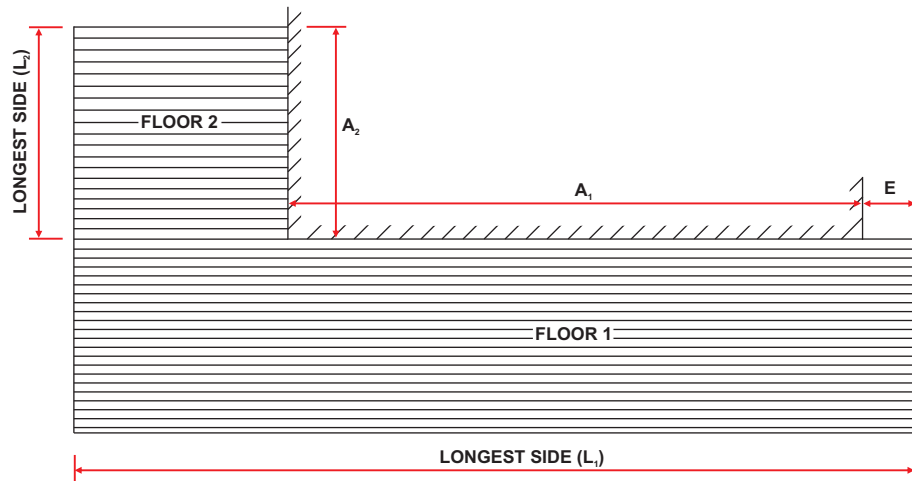
ATTACHMENT RULES

Single Floor Attachment:



Rules: $\Sigma A = 0.5 L$ (minimum). The unit must be attached to a fully braced structure for at least 50% of its longest side.
with: ΣA = total length of attachment to a fully braced structure*.
Extension E shall not to exceed 1200mm and must be supported by a corner column.

Corner Attachment:



Rules: $A_i = 0.5 L_i$ (minimum). Both Floor 1 and Floor 2 must be attached to a fully braced structure for at least 50% of their longest sides, L_1 and L_2 respectively.
with: A_i = total length of attachment per floor to a fully braced structure*.
Extension E shall not to exceed 1200mm and must be supported by a corner column.

Notes: *A fully braced structure is a structure capable of withstanding the additional loads imposed by the floor. These may include, but are not limited to, a Concrete or Masonry Wall, a Solid Foundation, a Braced Elevated Structure.

It is the builder's responsibility to ensure the structure to which the floor is attached is capable of withstanding the additional loads imposed by the Pro-Beam® Exterior Floor unit.